
HD74HC190/HD74HC191

Synchronous Up/Down Decade Counter (Single Clock Line)
Synchronous Up/Down 4-bit Binary Counter (Single Clock Line)

HITACHI

Description

The HD74HC190 and HD74HC191 are synchronous, reversible up/down counters. The HD74HC190 is a 4-bit decade counter and the HD74HC191 is a 4-bit binary counter. Synchronous counting operation is provided by having all flip-flops clocked simultaneously so that the outputs change coincident with each other when so instructed by the steering logic. This mode of operation eliminates the output counting spikes normally associated with asynchronous (ripple clock) counters.

The outputs of the four flip-flops are triggered on a low-to-high-level transition of the clock input if the Enable G input is low. A high at Enable G inhibits counting. The direction of the count is determined by the level of the Down/ Up (D/\bar{U}) input. When D/\bar{U} is low, the counter counts up and when D/\bar{U} is high, it counts down.

These counters feature a fully independent clock circuit. Changes at the control inputs (D/\bar{U}) that will modify the operating mode have no effect on the contents of the counter until clocking occurs. The function of the counter will be dictated solely by the condition meeting the stable setup and hold times.

These counters are fully programmable; that is, the outputs may each be preset to either level by placing a low on the load input and entering the desired data at the data inputs. The output will change to agree with the data inputs independently of the level of the clock input. This feature allows the counters to be used as modulo-N dividers by simply modifying the count length with the preset inputs.

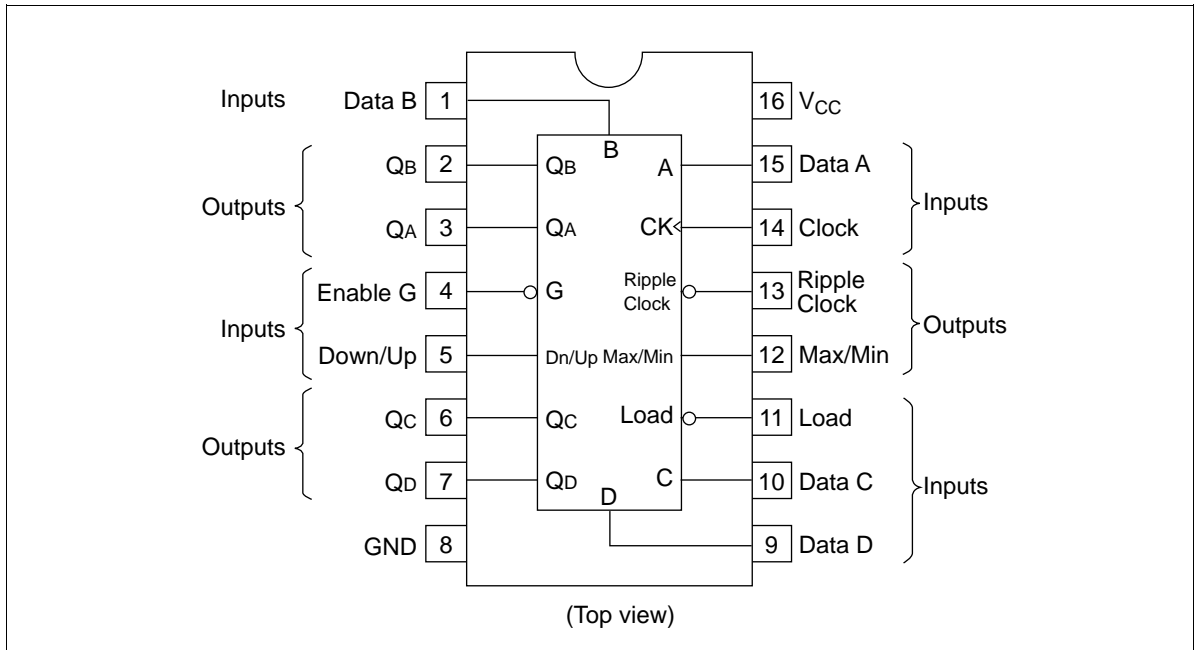
Two outputs have been made available to perform the cascading function. Ripple clock and maximum/minimum count. The latter output produces a high-level output pulse with a duration approximately equal to one complete cycle of the clock while the count is zero (all outputs low) counting down or maximum (9 or 15) counting up. The ripple clock output produces a low-level output pulse under those same conditions but only while the clock input is low. The counters can be easily cascaded by feeding the ripple clock output to the enable input of the succeeding counter if parallel clocking is used, or to the clock input if parallel enabling is used. The maximum/minimum count output can be used to accomplish look-ahead for high-speed operation.

HD74HC190/HD74HC191

Features

- High Speed Operation: t_{pd} (Clock to Q) = 22 ns typ ($C_L = 50$ pF)
- High Output Current: Fanout of 10 LSTTL Loads
- Wide Operating Voltage: $V_{CC} = 2$ to 6 V
- Low Input Current: 1 μ A max
- Low Quiescent Supply Current: I_{CC} (static) = 4 μ A max ($T_a = 25^\circ\text{C}$)

Pin Arrangement

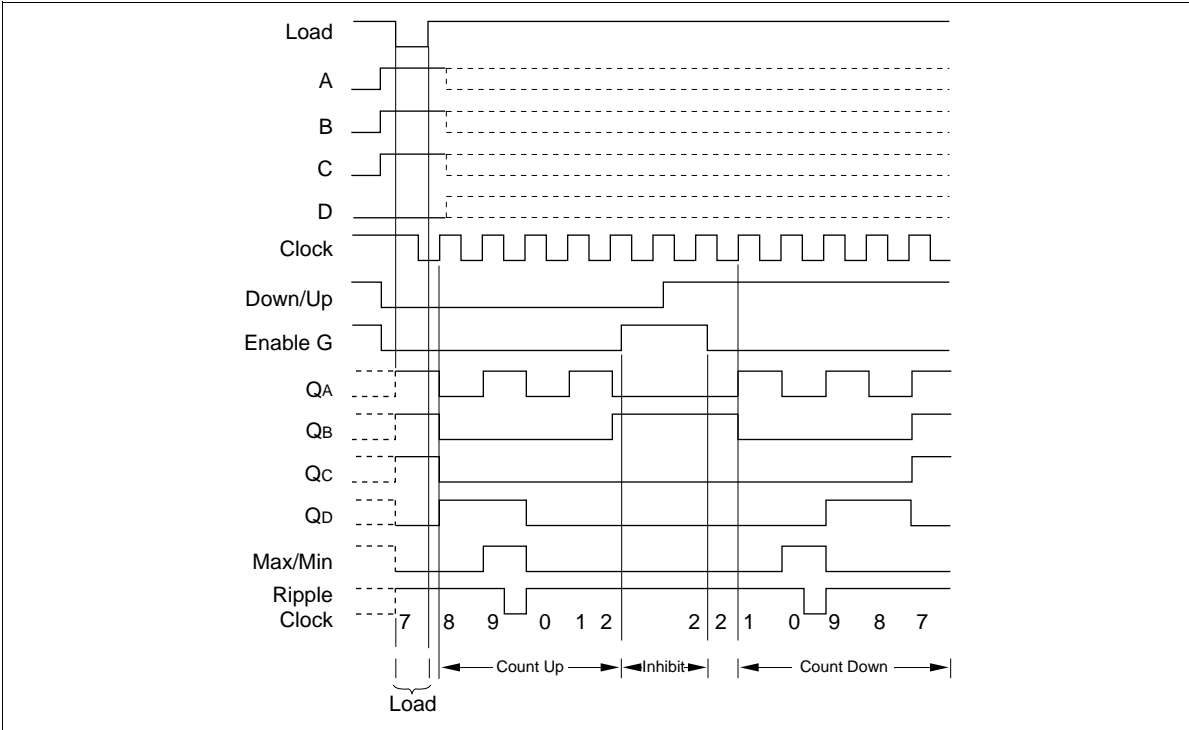


Timing Chart

HD74HC190

Illustrated below is the following sequence:

- 1. Load (preset) to BCD seven.
- 2. Count up to eight, nine (maximum), zero, one and two.
- 3. Inhibit
- 4. Count down to one, zero (minimum), nine, eight and seven.

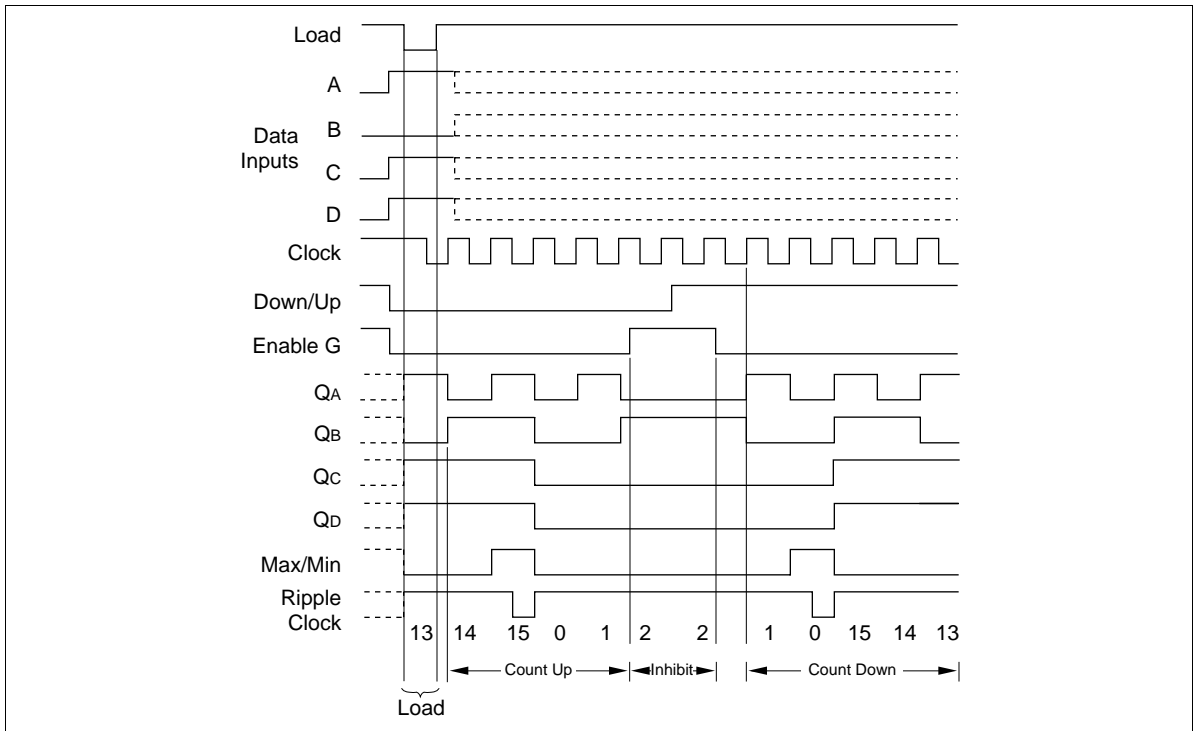


HD74HC190/HD74HC191

HD74HC191

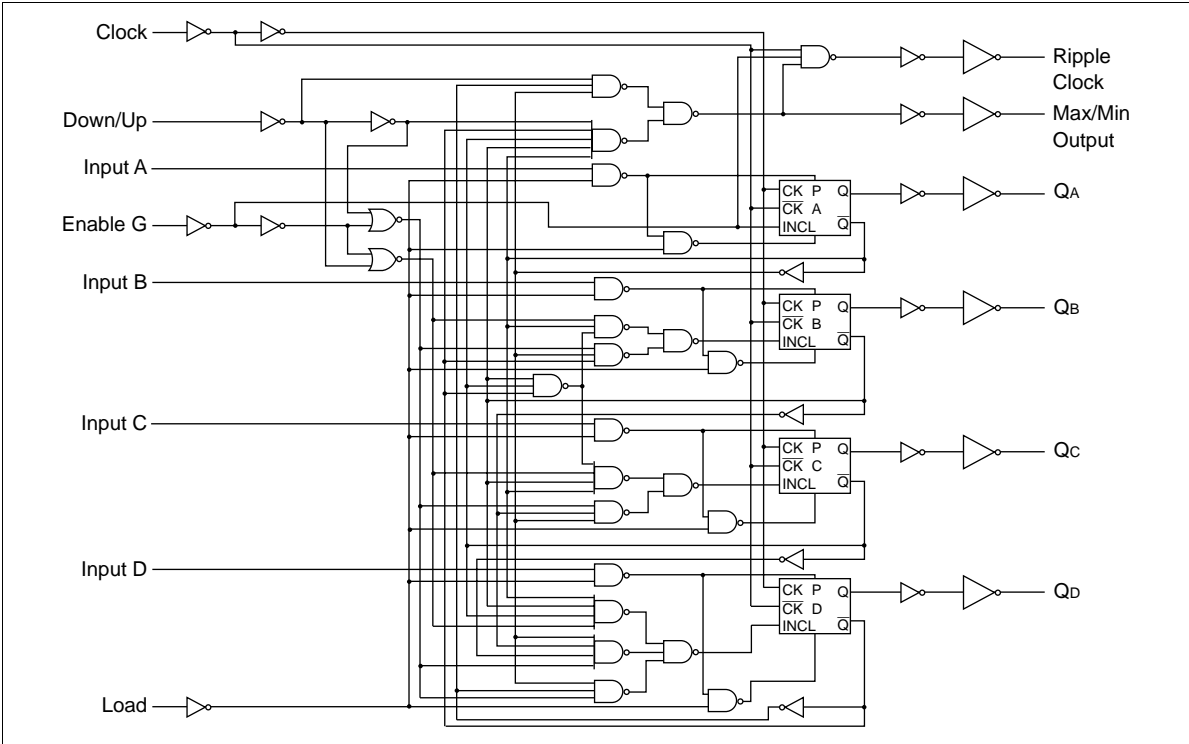
Illustrated below is the following sequence:

1. Load (preset) to binary thirteen.
2. Count up to fourteen, fifteen (maximum), zero, one and two.
3. Inhibit
4. Count down to one, zero (minimum), fifteen, fourteen and thirteen.



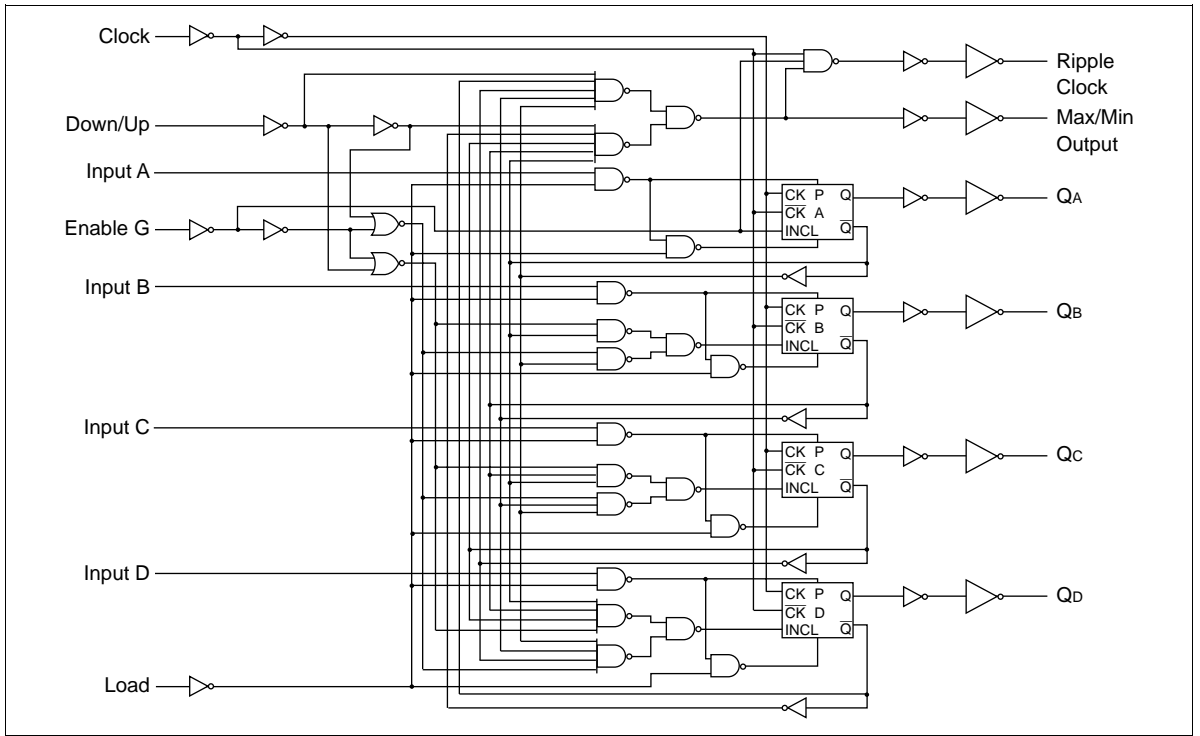
Logic Diagram

HD74HC190



HD74HC190/HD74HC191

HD74HC191



HITACHI

DC Characteristics

Item	Symbol	V _{CC} (V)	Ta = 25°C			Ta = -40 to +85°C		Unit	Test Conditions	
			Min	Typ	Max	Min	Max			
Input voltage	V _{IH}	2.0	1.5	—	—	1.5	—	V		
		4.5	3.15	—	—	3.15	—			
		6.0	4.2	—	—	4.2	—			
	V _{IL}	2.0	—	—	0.5	—	0.5			V
		4.5	—	—	1.35	—	1.35			
		6.0	—	—	1.8	—	1.8			
Output voltage	V _{OH}	2.0	1.9	2.0	—	1.9	—	V	Vin = V _{IH} or V _{IL} I _{OH} = -20 μA	
		4.5	4.4	4.5	—	4.4	—			
		6.0	5.9	6.0	—	5.9	—			
		4.5	4.18	—	—	4.13	—			I _{OH} = -4 mA
		6.0	5.68	—	—	5.63	—			I _{OH} = -5.2 mA
		6.0	—	0.0	0.1	—	0.1			V
	4.5	—	0.0	0.1	—	0.1				
	6.0	—	0.0	0.1	—	0.1				
	4.5	—	—	0.26	—	0.33	I _{OL} = 4 mA			
	6.0	—	—	0.26	—	0.33	I _{OL} = 5.2 mA			
Input current	I _{in}	6.0	—	—	±0.1	—	±1.0	μA	Vin = V _{CC} or GND	
Quiescent supply current	I _{CC}	6.0	—	—	4.0	—	40	μA	Vin = V _{CC} or GND, I _{out} = 0 μA	

HD74HC190/HD74HC191

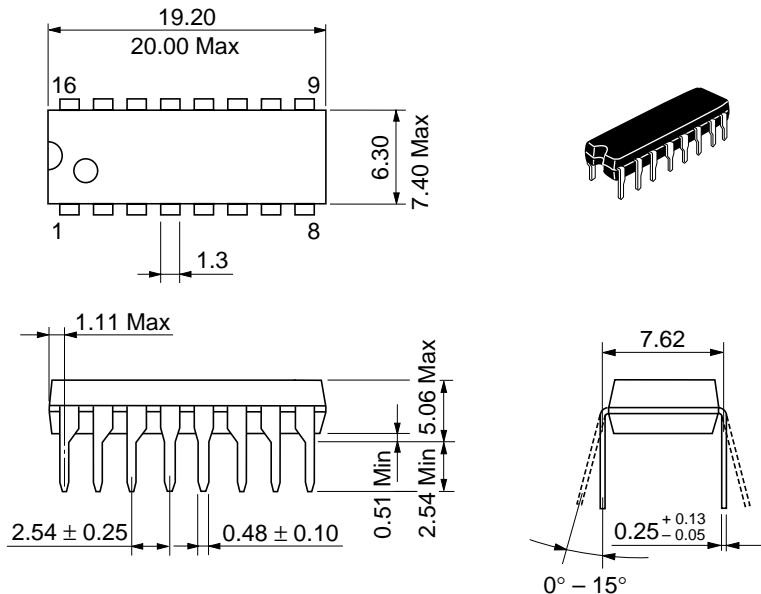
AC Characteristics ($C_L = 50$ pF, Input $t_r = t_f = 6$ ns)

Item	Symbol	V_{CC} (V)	$T_a = 25^\circ\text{C}$			$T_a = -40$ to $+85^\circ\text{C}$		Unit	Test Conditions		
			Min	Typ	Max	Min	Max				
Maximum clock frequency	f_{max}	2.0	—	—	5	—	4	MHz			
		4.5	—	—	25	—	20				
		6.0	—	—	29	—	24				
Propagation delay time	t_{PLH}	2.0	—	—	265	—	335	ns	Load to Q		
		4.5	—	21	53	—	66				
		6.0	—	—	45	—	56				
	Data to Q	t_{PHL}	2.0	—	—	230	—	290	Data to Q		
			4.5	—	18	46	—	58			
			6.0	—	—	39	—	49			
			2.0	—	—	120	—	150		Clock to RC	
			4.5	—	14	24	—	30			
			6.0	—	—	20	—	26			
	Clock to Q	t_{PHL}	2.0	—	—	190	—	240	Clock to Q		
			4.5	—	22	38	—	48			
			6.0	—	—	32	—	41			
			2.0	—	—	250	—	315		Clock to max/min	
			4.5	—	26	50	—	63			
			6.0	—	—	43	—	54			
	Down/up to RC	t_{PHL}	2.0	—	—	230	—	290	Down/up to RC		
			4.5	—	20	46	—	58			
			6.0	—	—	39	—	49			
			2.0	—	—	130	—	165		G to RC	
			4.5	—	14	26	—	33			
			6.0	—	—	22	—	28			
	Down/up to max/min	t_{PHL}	2.0	—	—	190	—	240	Down/up to max/min		
			4.5	—	17	38	—	48			
			6.0	—	—	32	—	41			
Pulse width			t_w	2.0	80	—	—	100		—	ns
				4.5	16	8	—	20		—	
				6.0	14	—	—	17		—	
Hold time	t_h	2.0	0	—	—	0	—	ns			
		4.5	0	-6	—	0	—				
		6.0	0	—	—	0	—				

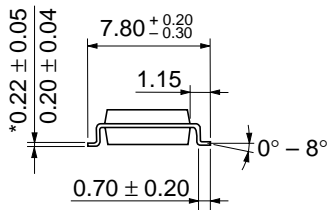
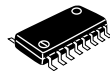
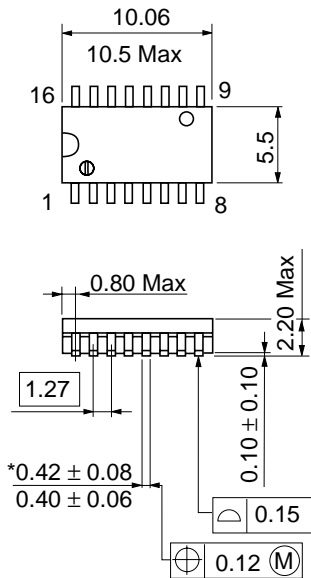
HITACHI

AC Characteristics ($C_L = 50 \text{ pF}$, Input $t_r = t_f = 6 \text{ ns}$) (cont)

Item	Symbol	V_{CC} (V)	$T_a = 25^\circ\text{C}$		$T_a = -40 \text{ to } +85^\circ\text{C}$		Unit	Test Conditions
			Min	Typ	Max	Min		
Setup time	t_{su}	2.0	100	—	—	125	—	ns
		4.5	20	7	—	25	—	
		6.0	17	—	—	21	—	
Output rise/fall time	t_{TLH} t_{THL}	2.0	—	—	75	—	95	ns
		4.5	—	5	15	—	19	
		6.0	—	—	13	—	16	
Input capacitance	C_{in}	—	—	5	10	—	10	pF

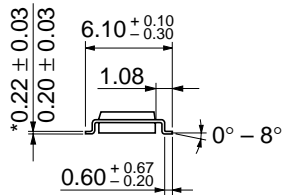
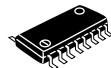
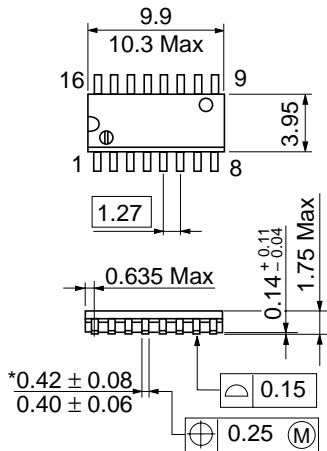


Hitachi Code	DP-16
JEDEC	Conforms
EIAJ	Conforms
Weight (reference value)	1.07 g



*Dimension including the plating thickness
 Base material dimension

Hitachi Code	FP-16DA
JEDEC	—
EIAJ	Conforms
Weight (reference value)	0.24 g



*Dimension including the plating thickness
Base material dimension

Hitachi Code	FP-16DN
JEDEC	Conforms
EIAJ	Conforms
Weight (reference value)	0.15 g

Cautions

1. Hitachi neither warrants nor grants licenses of any rights of Hitachi's or any third party's patent, copyright, trademark, or other intellectual property rights for information contained in this document. Hitachi bears no responsibility for problems that may arise with third party's rights, including intellectual property rights, in connection with use of the information contained in this document.
2. Products and product specifications may be subject to change without notice. Confirm that you have received the latest product standards or specifications before final design, purchase or use.
3. Hitachi makes every attempt to ensure that its products are of high quality and reliability. However, contact Hitachi's sales office before using the product in an application that demands especially high quality and reliability or where its failure or malfunction may directly threaten human life or cause risk of bodily injury, such as aerospace, aeronautics, nuclear power, combustion control, transportation, traffic, safety equipment or medical equipment for life support.
4. Design your application so that the product is used within the ranges guaranteed by Hitachi particularly for maximum rating, operating supply voltage range, heat radiation characteristics, installation conditions and other characteristics. Hitachi bears no responsibility for failure or damage when used beyond the guaranteed ranges. Even within the guaranteed ranges, consider normally foreseeable failure rates or failure modes in semiconductor devices and employ systemic measures such as fail-safes, so that the equipment incorporating Hitachi product does not cause bodily injury, fire or other consequential damage due to operation of the Hitachi product.
5. This product is not designed to be radiation resistant.
6. No one is permitted to reproduce or duplicate, in any form, the whole or part of this document without written approval from Hitachi.
7. Contact Hitachi's sales office for any questions regarding this document or Hitachi semiconductor products.

HITACHI

Hitachi, Ltd.

Semiconductor & Integrated Circuits.
Nippon Bldg., 2-6-2, Ohte-machi, Chiyoda-ku, Tokyo 100-0004, Japan
Tel: Tokyo (03) 3270-2111 Fax: (03) 3270-5109

URL North America : <http://semiconductor.hitachi.com/>
 Europe : <http://www.hitachi-eu.com/hel/ecg>
 Asia (Singapore) : <http://www.has.hitachi.com.sg/grp3/sicd/index.htm>
 Asia (Taiwan) : http://www.hitachi.com.tw/E/Product/SICD_Frame.htm
 Asia (HongKong) : <http://www.hitachi.com.hk/eng/bo/grp3/index.htm>
 Japan : <http://www.hitachi.co.jp/Sicd/indx.htm>

For further information write to:

Hitachi Semiconductor
(America) Inc.
179 East Tasman Drive,
San Jose, CA 95134
Tel: <1> (408) 433-1990
Fax: <1> (408) 433-0223

Hitachi Europe GmbH
Electronic components Group
Dornacher Straße 3
D-85622 Feldkirchen, Munich
Germany
Tel: <49> (89) 9 9180-0
Fax: <49> (89) 9 29 30 00

Hitachi Europe Ltd.
Electronic Components Group.
Whitebrook Park
Lower Cookham Road
Maidenhead
Berkshire SL6 8YA, United Kingdom
Tel: <44> (1628) 585000
Fax: <44> (1628) 778322

Hitachi Asia Pte. Ltd.
16 Collyer Quay #20-00
Hitachi Tower
Singapore 049318
Tel: 535-2100
Fax: 535-1533

Hitachi Asia Ltd.
Taipei Branch Office
3F, Hung Kuo Building, No.167,
Tun-Hwa North Road, Taipei (105)
Tel: <886> (2) 2718-3666
Fax: <886> (2) 2718-8180

Hitachi Asia (Hong Kong) Ltd.
Group III (Electronic Components)
7/F., North Tower, World Finance Centre,
Harbour City, Canton Road, Tsim Sha Tsui,
Kowloon, Hong Kong
Tel: <852> (2) 735 9218
Fax: <852> (2) 730 0281
Telex: 40815 HITEC HX

Copyright ' Hitachi, Ltd., 1999. All rights reserved. Printed in Japan.

HITACHI